

FIGURE "A"
INSTALLING THE DISKFAN AT AN
EXISTING CEILING ELECTRIC BOX

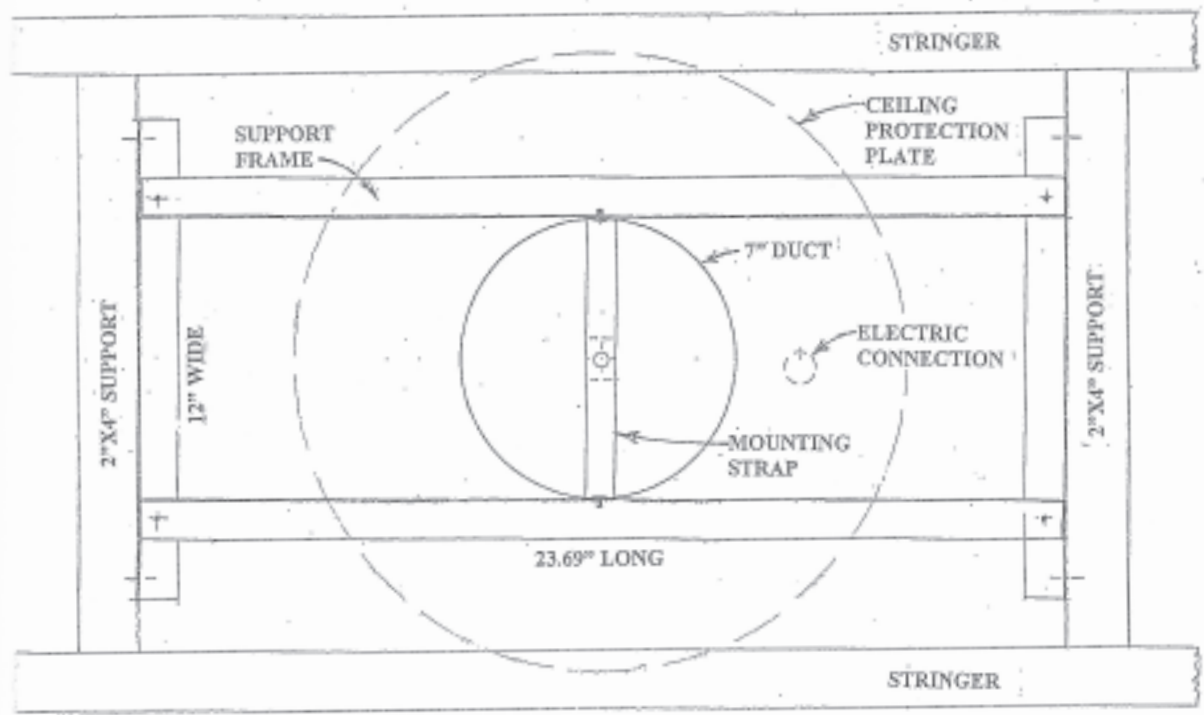
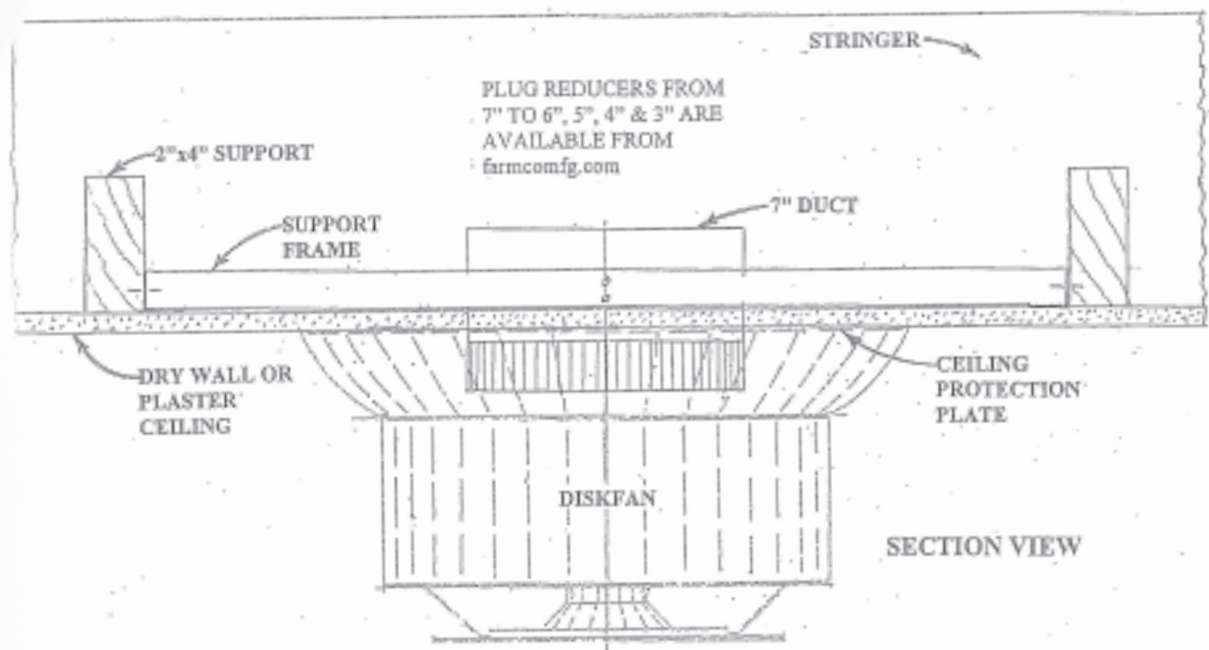
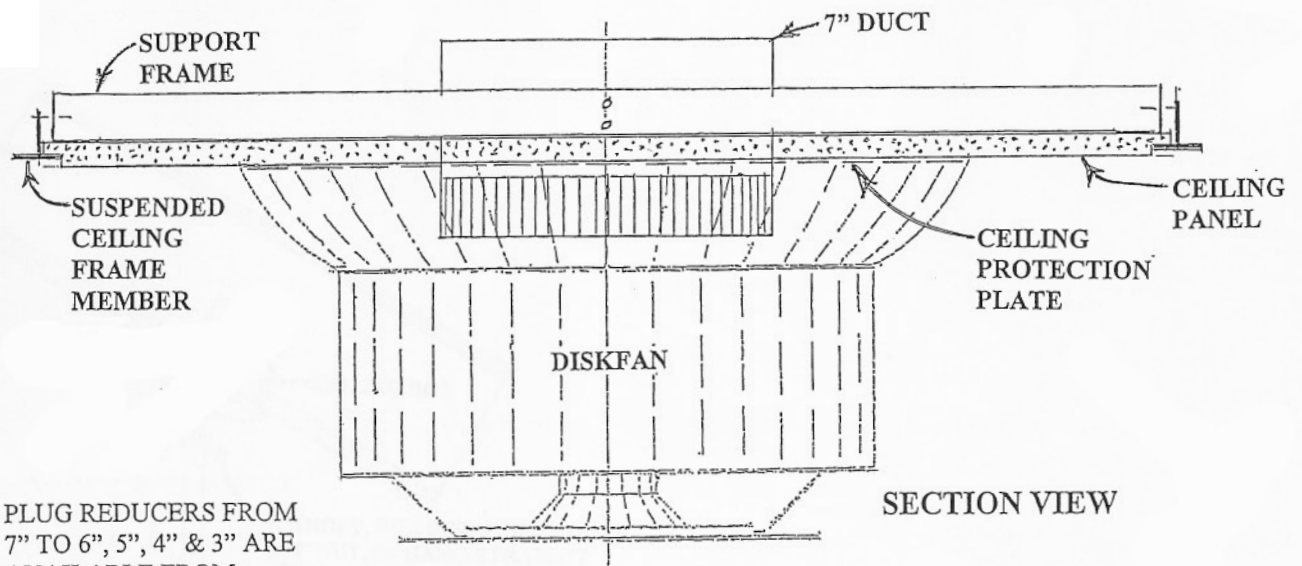


FIGURE "B"
INSTALLING THE DISKFAN DURING A ROOM REMODELING OR NEW CONSTRUCTION



PLUG REDUCERS FROM 7" TO 6", 5", 4" & 3" ARE AVAILABLE FROM famcomfg.com

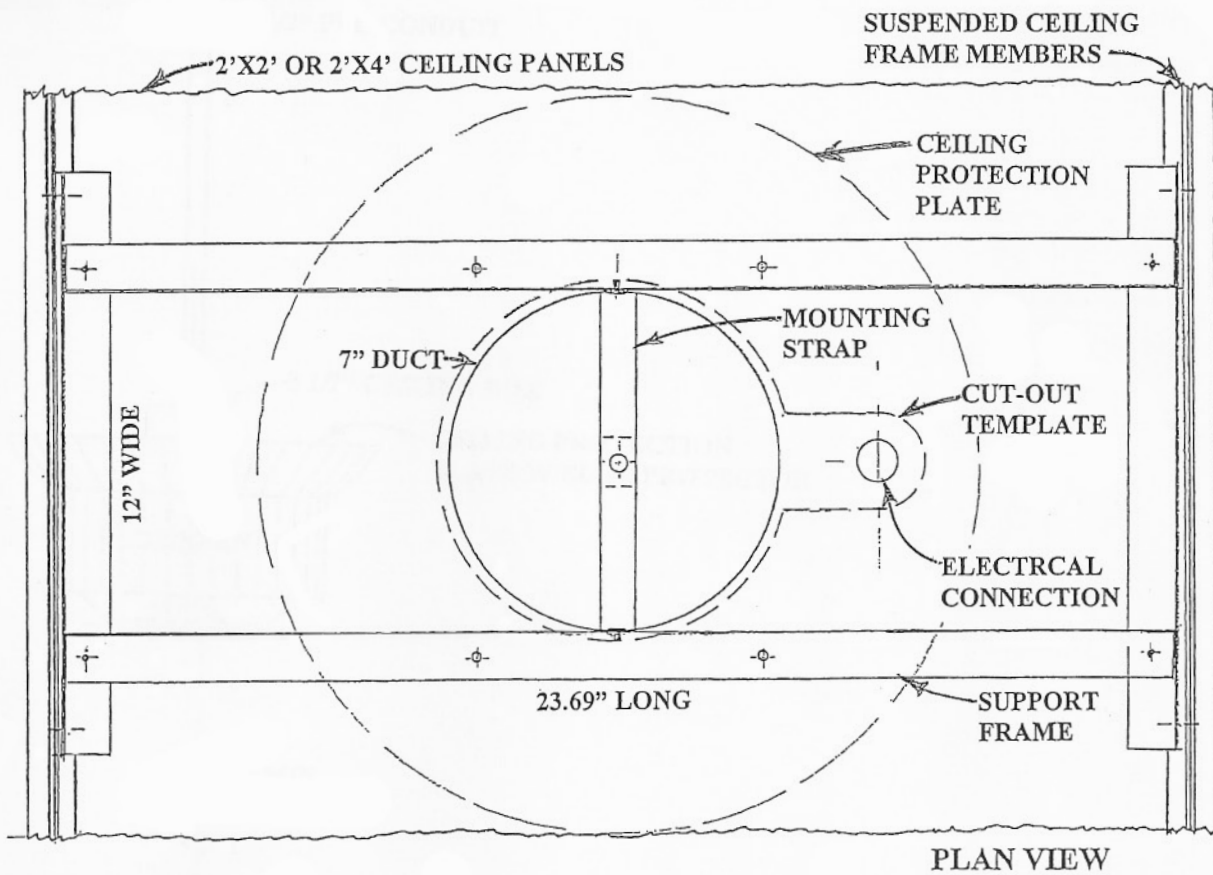


FIGURE "C"
INSTALLING THE DISKFAN ON A
SUSPENDED CEILING SYSTEM

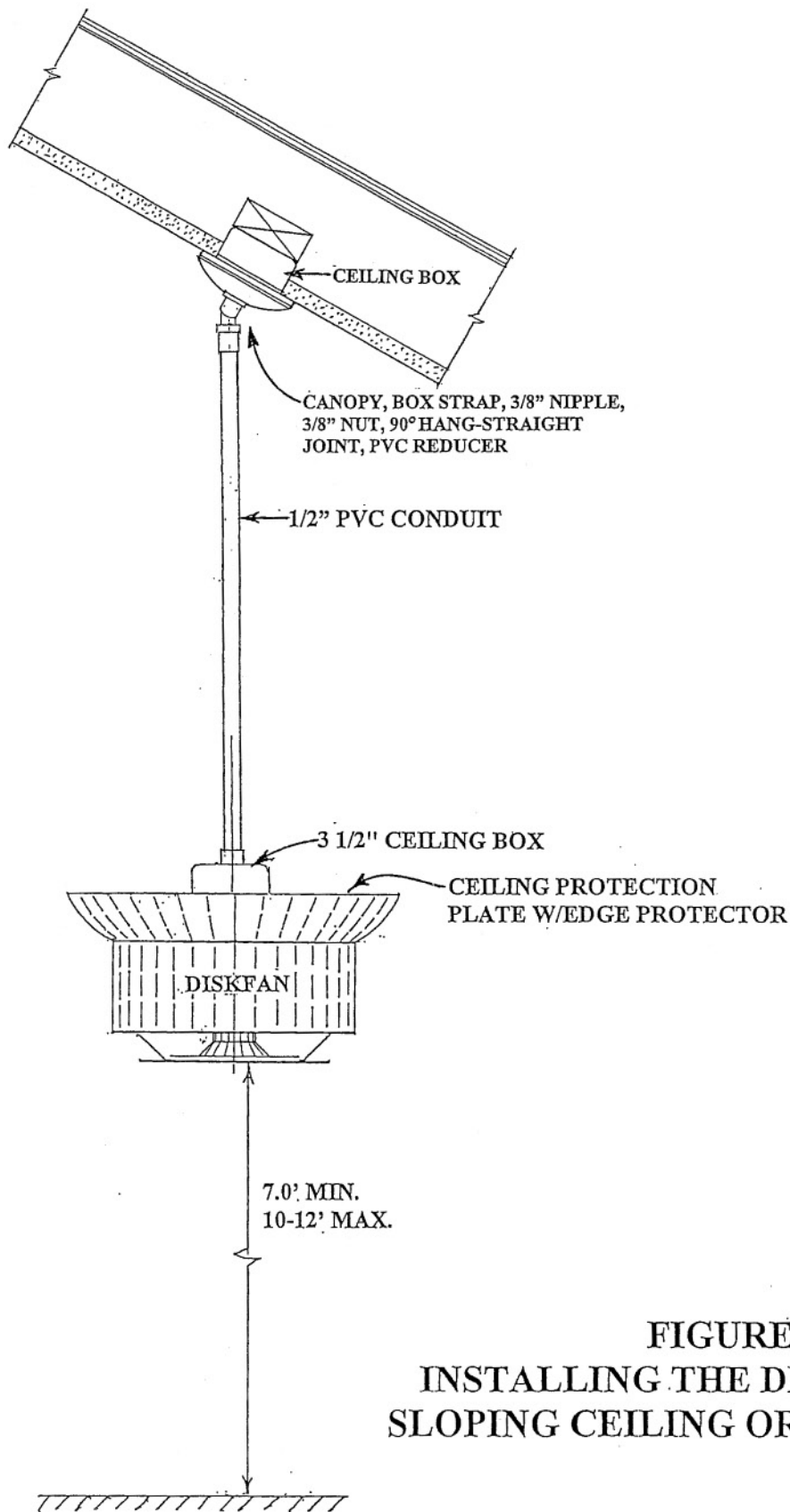


FIGURE "D"
**INSTALLING THE DISKFAN FROM A
 SLOPING CEILING OR A HIGH CEILING**